

TOLERANCE
ISO 2768 - m

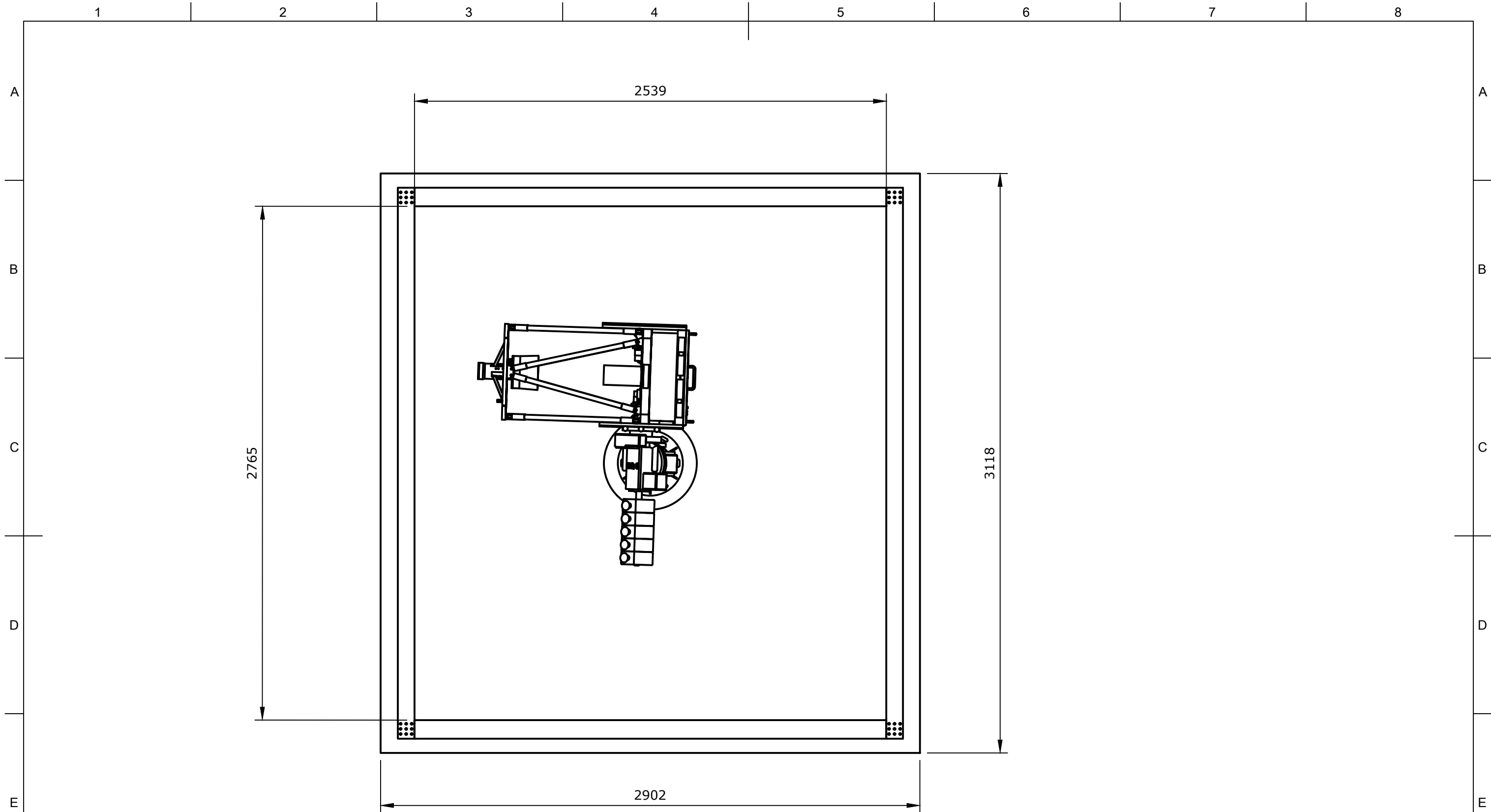
DOMEPARTS
optical

Dome Parts GmbH
Keltenstraße 2
86517 Wehringen
Germany

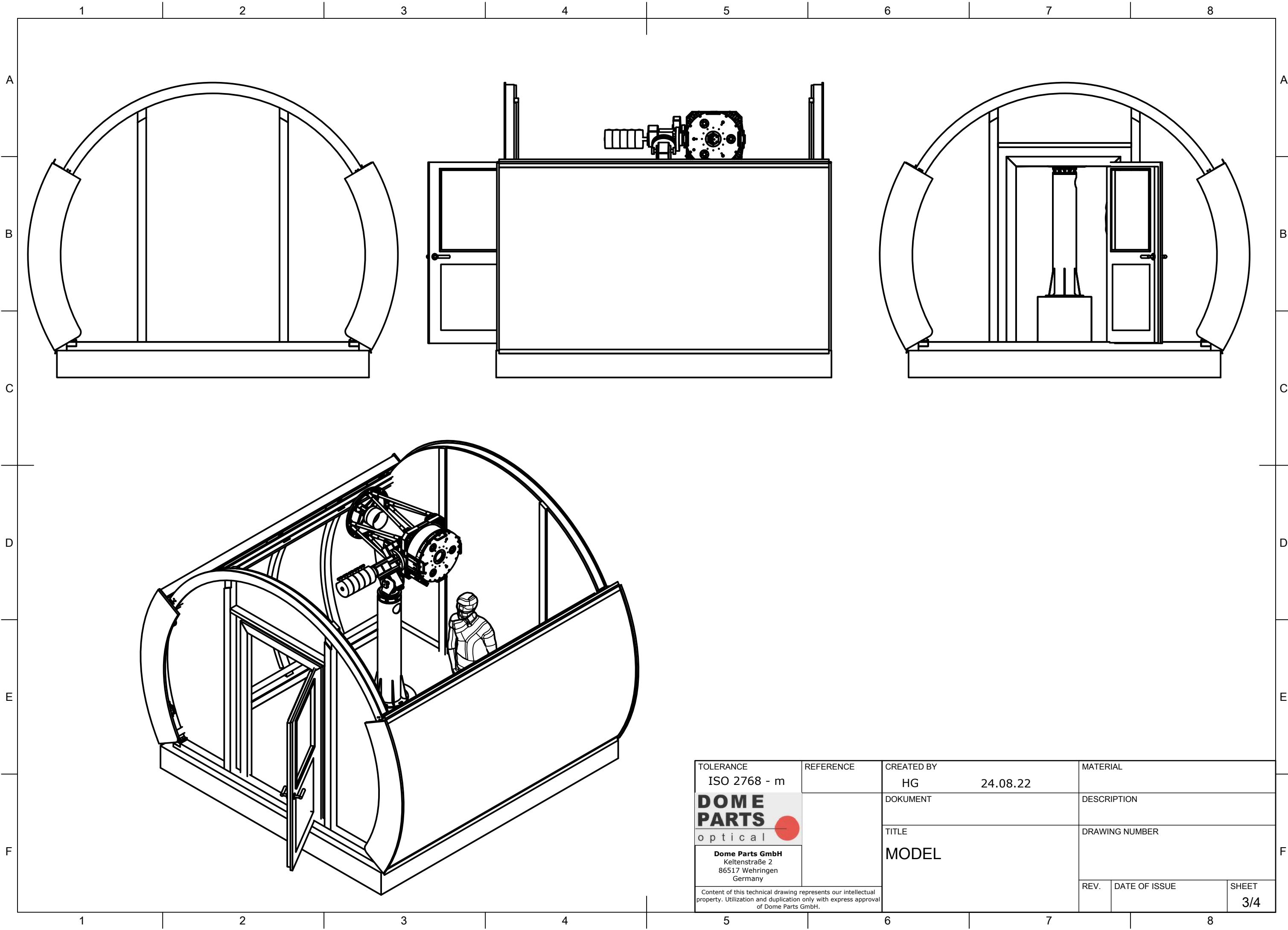
Content of this technical drawing represents our intellectual property. Utilization and duplication only with express approval of Dome Parts GmbH.




CREATED BY	HG	24.08.22	MATERIAL
DOKUMENT			DESCRIPTION
TITLE	MODEL		DRAWING NUMBER
REV.	DATE OF ISSUE	SHEET	1/4



TOLERANCE ISO 2768 - m	REFERENCE	CREATED BY HG	24.08.22	MATERIAL
DOME PARTS optical		DOKUMENT		DESCRIPTION
		TITLE MODEL		DRAWING NUMBER
Dome Parts GmbH Keltenstraße 2 86517 Wehringen Germany		REV.	DATE OF ISSUE	SHEET 2/4
<small>Content of this technical drawing represents our intellectual property. Utilization and duplication only with express approval of Dome Parts GmbH.</small>				



TOLERANCE ISO 2768 - m		REFERENCE	CREATED BY HG	24.08.22	MATERIAL
DOMEPARTS optical			DOKUMENT		DESCRIPTION
			TITLE MODEL		DRAWING NUMBER
Dome Parts GmbH Keltenstraße 2 86517 Wehringen Germany		Content of this technical drawing represents our intellectual property. Utilization and duplication only with express approval of Dome Parts GmbH.		REV.	DATE OF ISSUE
				SHEET	3/4